



Art. 090-8070-000

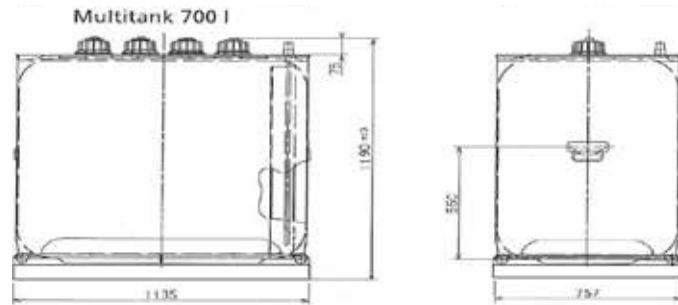
Art. 090-8070-000

Double-wall tank "Multitank" 700 l

For the storage of oil, diesel fuel, bio diesel
Double-wall tanks in HDPE with integrated galvanised steel foil
Palletised base, built-in transport handles
Level indicator
Visual leaks detector
For professional or private use
Approved for indoor installation



090-8070-000 65,000 1,030 1



Art. 090-8100-000

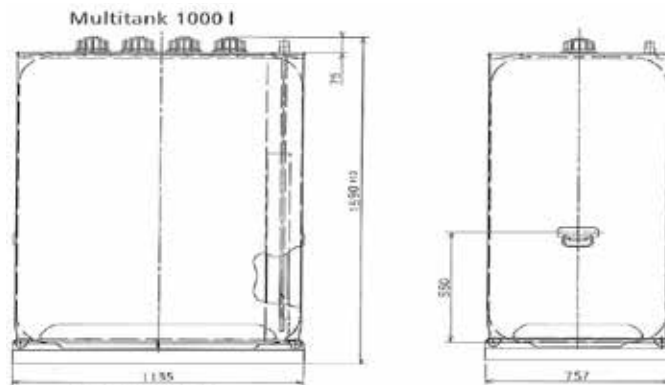
Art. 090-8100-000

Double-wall tank "Multitank" 1000 l

For the storage of oil, diesel fuel, bio diesel
Double-wall tanks in HDPE with integrated galvanised steel foil
Palletised base, built-in transport handles
Level indicator
Visual leaks detector
For professional or private use
Approved for indoor installation



090-8100-000 80,000 1,370 1



090-8200-030

Art. 090-8200-030

Support bracket for pump - hose reel

Painted steel with F 2" G ring nut



090-8200-030 12,500 0,044 1

Article	Description	Capacity	Width	Depth	Height	Weight	Packaging
		l	mm	mm	mm	kg	mm
090-8070-000	Multitank	700	1135	757	1190	65	113x757x1190
090-8100-000	Multitank	1000	1135	757	1590	80	113x757x1590
090-8200-030	Supp.bracket	-	727	370	114	12,5	745X390X150